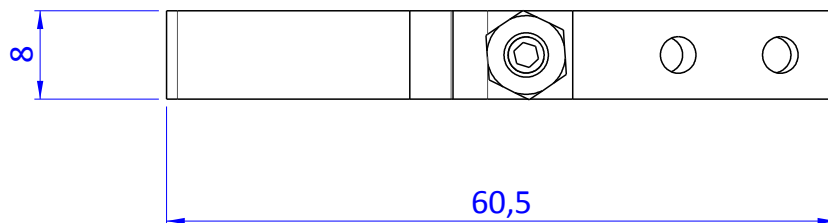
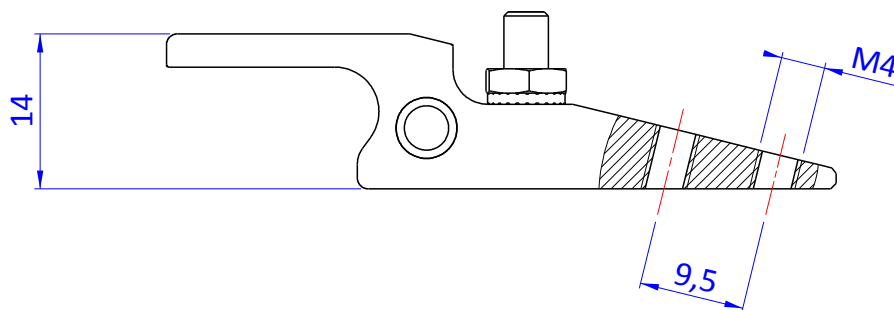
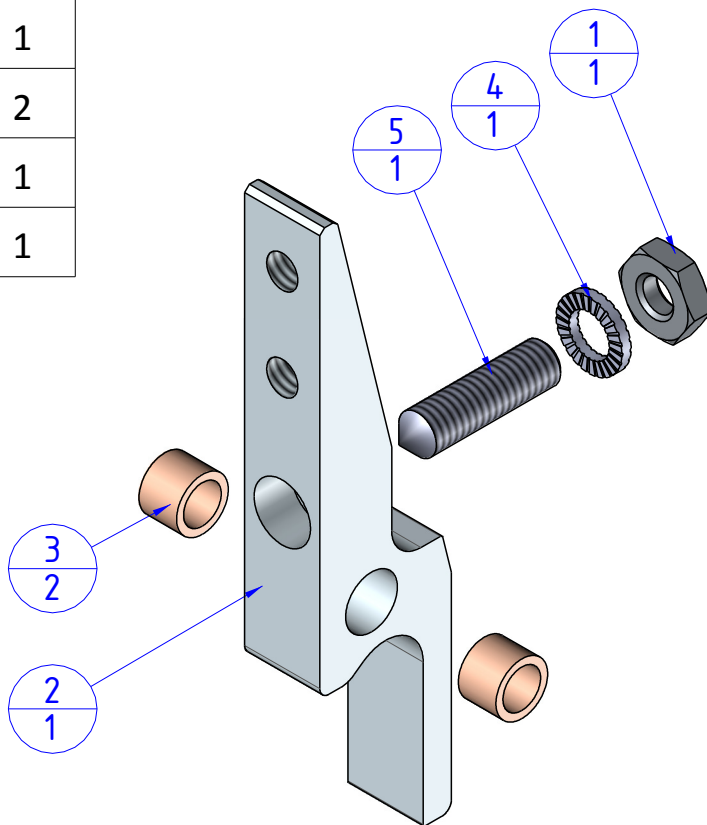

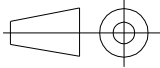


THE PROPERTY OF THE DRAWING IS ESTABLISHED BY LAW. IT IS FORBIDDEN TO PRODUCE OR SHOW IT TO THIRD PART. WITHOUT A WRITTEN AGREEMENT.

Item	Name	Qty.
1	D.4	1
2	GTS.1003.29	1
3	PAP.0405504	2
4	R.4.SCH	1
5	V.STM4X16	1



<b>Format A4</b> UNI 936-76	 FPSERVICES AUTOMATION				DESIGNED FROM <b>FPS Automation</b>	REVIEW <b>A</b>
	GENERAL TOLERANCE UNI - ISO 2768 CLASSE f	DESCRIPTION <b>GTS.03.29</b>			DATE 22/03/2019	WEIGHT 0,021kg
					CODE <b>GTS.03.29</b>	